

Installation Brackets

Equal / unequal Sides

SPECIFICATION

Version with equal sides

Types

- Type **A**: without bores
- Type **B**: with bores

Version with unequal sides

Types

- Type **A**: without bores
- Type **C**: with bores and slotted holes

Structural Steel **STB**

Drawn, with sharp edges

Blackened

Aluminium **ALM**

Pressed

Matte, ground



INFORMATION

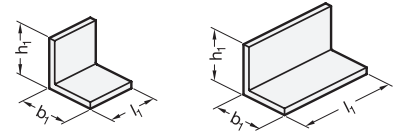
GN 970 installation brackets are used universally for right-angle connecting and fastening of, e.g. base plates or covers.

Type A allows for the use of drilling templates specific to the application as well as fastening by welding.

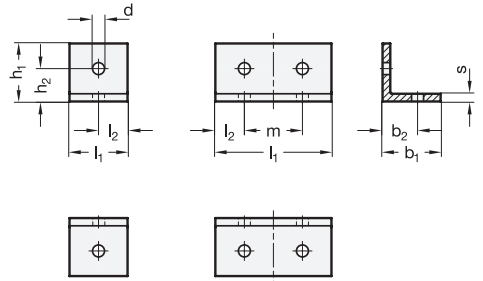
Type B installation brackets have 2 or 4 holes depending on the length l_1 .

Type C installation brackets have one or two combinations of a hole and an elongated hole depending on the length l_1 .

Type A

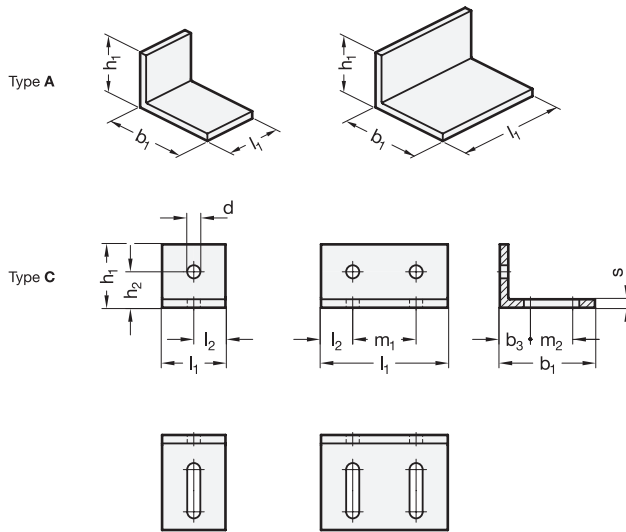


Type B



GN 970-equal sides

Description	h1	b1	l1	b2	d	h2	l2	m	s	$\Delta\Delta$
GN 970-STB-30-30-30-A	30	30	30	18	6.2	18	15	-	4	53
GN 970-ALM-30-30-30-A	30	30	30	18	6.2	18	15	-	4	18
GN 970-STB-30-30-60-A	30	30	60	18	6.2	18	15	30	4	107
GN 970-ALM-30-30-60-A	30	30	60	18	6.2	18	15	30	4	35
GN 970-STB-40-40-40-A	40	40	40	24	8.2	24	20	-	5	120
GN 970-ALM-40-40-40-A	40	40	40	24	8.2	24	20	-	5	40
GN 970-STB-40-40-80-A	40	40	80	24	8.2	24	20	40	5	233
GN 970-ALM-40-40-80-A	40	40	80	24	8.2	24	20	40	5	80
GN 970-ALM-50-50-50-A	50	50	50	30	10.2	30	25	-	6	75
GN 970-ALM-50-50-100-A	50	50	100	30	10.2	30	25	50	6	149
GN 970-STB-30-30-30-B	30	30	30	18	6.2	18	15	-	4	51
GN 970-ALM-30-30-30-B	30	30	30	18	6.2	18	15	-	4	17
GN 970-STB-30-30-60-B	30	30	60	18	6.2	18	15	30	4	103
GN 970-ALM-30-30-60-B	30	30	60	18	6.2	18	15	30	4	34
GN 970-STB-40-40-40-B	40	40	40	24	8.2	24	20	-	5	81
GN 970-ALM-40-40-40-B	40	40	40	24	8.2	24	20	-	5	38
GN 970-STB-40-40-80-B	40	40	80	24	8.2	24	20	40	5	231
GN 970-ALM-40-40-80-B	40	40	80	24	8.2	24	20	40	5	76
GN 970-ALM-50-50-50-B	50	50	50	30	10.2	30	25	-	6	72
GN 970-ALM-50-50-100-B	50	50	100	30	10.2	30	25	50	6	144



GN 970-unequal sides

Description	h1	b1	l1	b3	d	h2	l2	m1	m2	s	⚖️
GN 970-STB-30-45-30-A	30	45	30	-	6.2	18	15	-	20	4	67
GN 970-ALM-30-45-30-A	30	45	30	-	6.2	18	15	-	20	4	22
GN 970-STB-30-45-60-A	30	45	60	-	6.2	18	15	30	20	4	135
GN 970-ALM-30-45-60-A	30	45	60	-	6.2	18	15	30	20	4	45
GN 970-STB-40-60-40-A	40	60	40	-	8.2	24	20	-	25	5	151
GN 970-ALM-40-60-40-A	40	60	40	-	8.2	24	20	-	25	5	50
GN 970-STB-40-60-80-A	40	60	80	-	8.2	24	20	40	25	5	303
GN 970-ALM-40-60-80-A	40	60	80	-	8.2	24	20	40	25	5	99
GN 970-ALM-50-75-50-A	50	75	50	-	10.2	30	25	-	30	6	94
GN 970-ALM-50-75-100-A	50	75	100	-	10.2	30	25	50	30	6	187
GN 970-STB-30-45-30-C	30	45	30	18	6.2	18	15	-	20	4	61
GN 970-ALM-30-45-30-C	30	45	30	18	6.2	18	15	-	20	4	20
GN 970-STB-30-45-60-C	30	45	60	18	6.2	18	15	30	20	4	122
GN 970-ALM-30-45-60-C	30	45	60	18	6.2	18	15	30	20	4	41
GN 970-STB-40-60-40-C	40	60	40	24	8.2	24	20	-	25	5	139
GN 970-ALM-40-60-40-C	40	60	40	24	8.2	24	20	-	25	5	46
GN 970-STB-40-60-80-C	40	60	80	24	8.2	24	20	40	25	5	277
GN 970-ALM-40-60-80-C	40	60	80	24	8.2	24	20	40	25	5	91
GN 970-ALM-50-75-50-C	50	75	50	30	10.2	30	25	-	30	6	86
GN 970-ALM-50-75-100-C	50	75	100	30	10.2	30	25	50	30	6	173



9

Machine elements